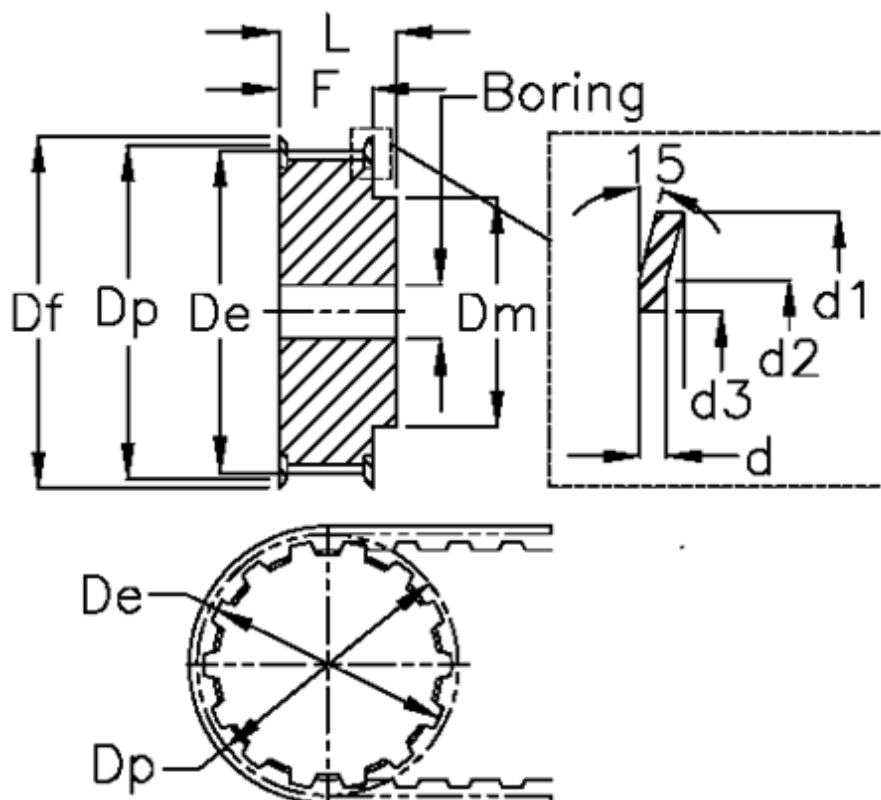


Article number: 60415331036

Description: Timing Belt Pulley 31 T10 36/2

Measures



Belt width = - 16 mm	D_p	= 114.75
d = 1	F	= 21
d_1 = 120	Flange type	= F38
d_2 = 112.5	L	= 31
d_3 = 99.5	Pre-drilled	= 10
D_e = 112.75	Tooth number	= 36
D_f = 120	Type	= T10
D_m = 70	Weight	= 0.767